

# CAPS NO<sub>2</sub> Monitor

*Accurate and Precise Continuous Monitoring of Nitrogen Dioxide*

- *Ambient Monitoring*
- *Fast Response*
- *Extended Range*

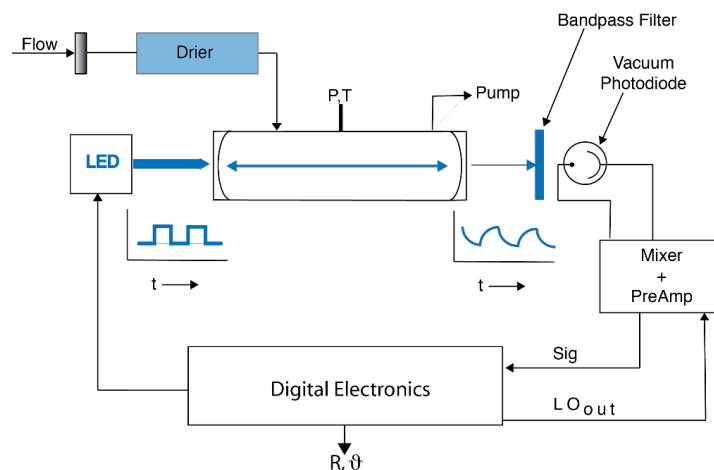


## Attributes

- Visible (450 nm) absorption measurement using patented Cavity Attenuated Phase Shift (CAPS) technology
- Measurement of concentrations from sub-ppbv to 3 or 10 ppmv
- High linearity over measurement range better than 1%
- Ideal for on-road monitoring  
FR Version: Response Time 1-2 s

## Advantages

- Direct measurement of analyte; no chemical conversion required
- Essentially interference-free
- Automated and autonomous operation
- Minimal maintenance (periodic change of filter and scrubber)
- No toxic gas emissions
- Customization available



# CAPS NO<sub>2</sub> Monitor

## Specifications

MEASUREMENT SPECIFICATIONS	Ambient	Fast Response (FR)	Extended Range (EX)
Range (ppbv)	0-3,000	0-3,000	0-10,000
Resolution (ppbv)	0.01	0.01	0.01
Precision (2 $\sigma$ , 1 s) (ppbv)	< 0.2	< 0.5	< 3
Time Response (10-90%)	7-8 s	1-2 s	1-2 s or 7-8 s
Baseline Drift	Baselines Taken as Often as Required		
Span Drift	Negligible		
Linearity	< $\pm$ 5 ppbv at 1000 ppbv		
Flow Rate (lpm)	0.85	1.25	0.85 or 1.25

## 1 Year Manufacturer's Warranty

### Physical Specifications

Cell Pressure: ambient  
Cell Temperature: ~5 °C above ambient  
Power Usage: <40 W  
Weight: 14 kg  
Size: ~65 cm x 43 cm x 23 cm (L x W x H)  
[19" rack mount, 5U, 24" deep]

### Data Output

Display Front Panel, 1 second time constant(  $\pm$  1 digit)  
RS-232 Rear Panel, DB-9 Female Connector (Null Modem cable provided)  
USB Rear Panel, Female B Connector (Male A to Male B cable provided)  
Ethernet Rear Panel, RJ-45 port  
On-Board Storage Capacity > 10 years continuous operation

## REFERENCES

A Practical Alternative to Chemiluminescence Detection of Nitrogen Dioxide: Cavity Attenuated Phase Shift Spectroscopy, P.L. Keabian, E.C. Wood, S.C. Herndon, and A. Freedman, Environ. Sci. Technol., 42:6040-6045 (2008)  
Detection of Nitrogen Dioxide by Cavity Attenuated Phase Shift Spectroscopy, Paul L. Keabian, Scott C. Herndon and Andrew Freedman, Anal. Chem., 77:724-728 (2005)  
System and Method for Precision Phase Shift Measurement, P.L. Keabian, U.S. Patent 8364430 (issued Jan. 29, 2013); also patented in Germany, France, the United Kingdom and China  
System and Method for Trace Species Detection Using Cavity Attenuated Phase Shift Spectroscopy with an Incoherent Light Source, P.L. Keabian and A. Freedman, U.S. Patent No. 7301639 (issued November 27, 2007)



45 Manning Road  
Billerica, MA 01821  
(978) 663-9500  
www.aerodyne.com